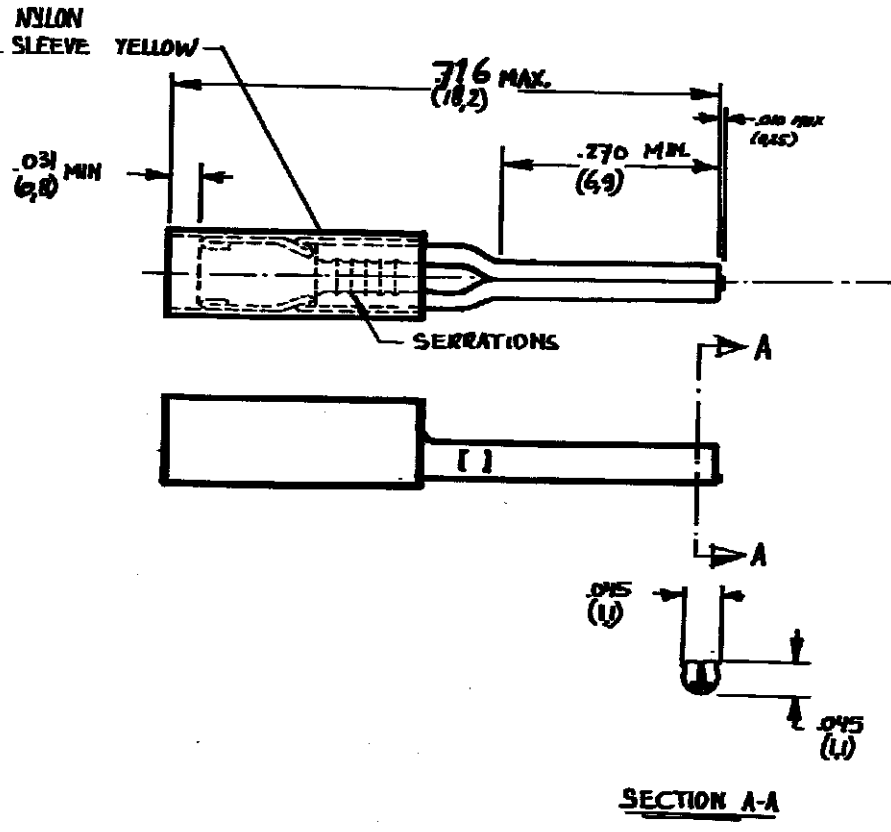



NUMBER C-165514

DRAWING MADE IN AMERICAN PROJECTION



DOC. CENTRE
29 OCT. 1991

DIMENSIONS IN () ARE IN MILLIMETERS. DO NOT SCALE PRINT

CUSTOMER COPY FOR REFERENCE ONLY			
©1975 BY AMP-HOLLAND N.V. ALL RIGHTS RESERVED A-MP PRODUCTS COVERED BY PATENTS AND/OR PATENTS PENDING.			
 AMP-HOLLAND N.V. 's-Hertogenbosch		WIRE RANGE 21-22 AWG (0.5-0.7 mm)	
INSUL. RANGE .013 DIA. (0.3)		FIRST USED —	
ORDER NO.	MATERIAL	PLATING	SCALE
65514-1	COPPER	TINPLATED	N.T.S.
BY R.W.M.B.	DATE 8-8-78	DE DATE	NO C-165.514
CHK DATE	DATE	DATE	REV D
NAME PIDG WIRE PIN			